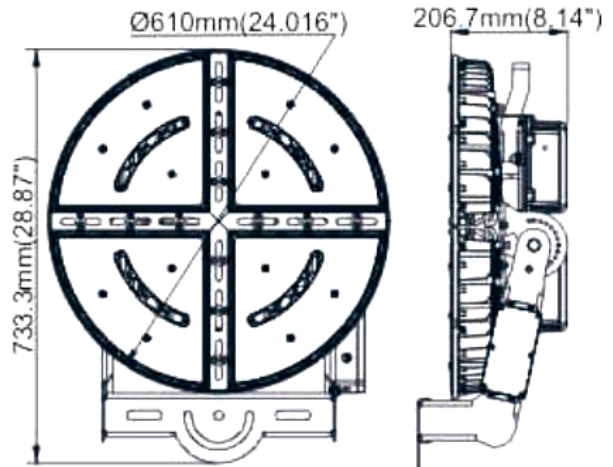


DIMENSIONS:



SFX-G5-1000W-30D-50K

LED STADIUM FLOOD LIGHT

Ideal for Stadium lighting, Sports fields, parking lots, docks ,railway and container yards, Architectural lighting, Industrial and commercial exterior lighting, tradeshows, exhibitions

ELECTRICAL SPECIFICATIONS:

- Voltage: 120~277VAC,
- Wattage: 1000W
- Power factor: 0.90~0.97
- Efficacy: 150LM/W

HOUSING SPECIFICATIONS:

- Die-cast aluminum housing with powder coat finish (Black)
- Cord type: 3' SJTW 18/3 AWG cable
- 15KV Surge Protector
- Operating temperature: -40°F to 176°F
- Lifespan: 70,000 hr.
- IP Rating: IP65, Suitable for Wet Locations

CERTIFICATIONS: UL, DLC



MODEL	WATTS	VOLTAGE	LUMENS	COLOR TEMP
SFX-G5-1000W-30D-50K	600W	120~277VAC	150000LM	5000K

OPTIONAL ACCESSORIES:



MODEL	DESCRIPTION
SFX-G5-SH2	Optional Shroud for 1000W
SFX-POINTER	Optional LED Laser Aiming Device
SFX-G5-SF	Optional Slip Fitter
SFX-G5-RB	Optional Rotatable Base

LIGHTING SPECIFICATIONS:

- Lens: prismatic polycarbonate lens
- LED: Lumileds Luxeon 5050
- Total lumens: 150000LM
- Color temperature: 5000K
- Color rendering index: >84
- Beam Angle: 30°

WARRANTY: 7 years

